

**STOYA**

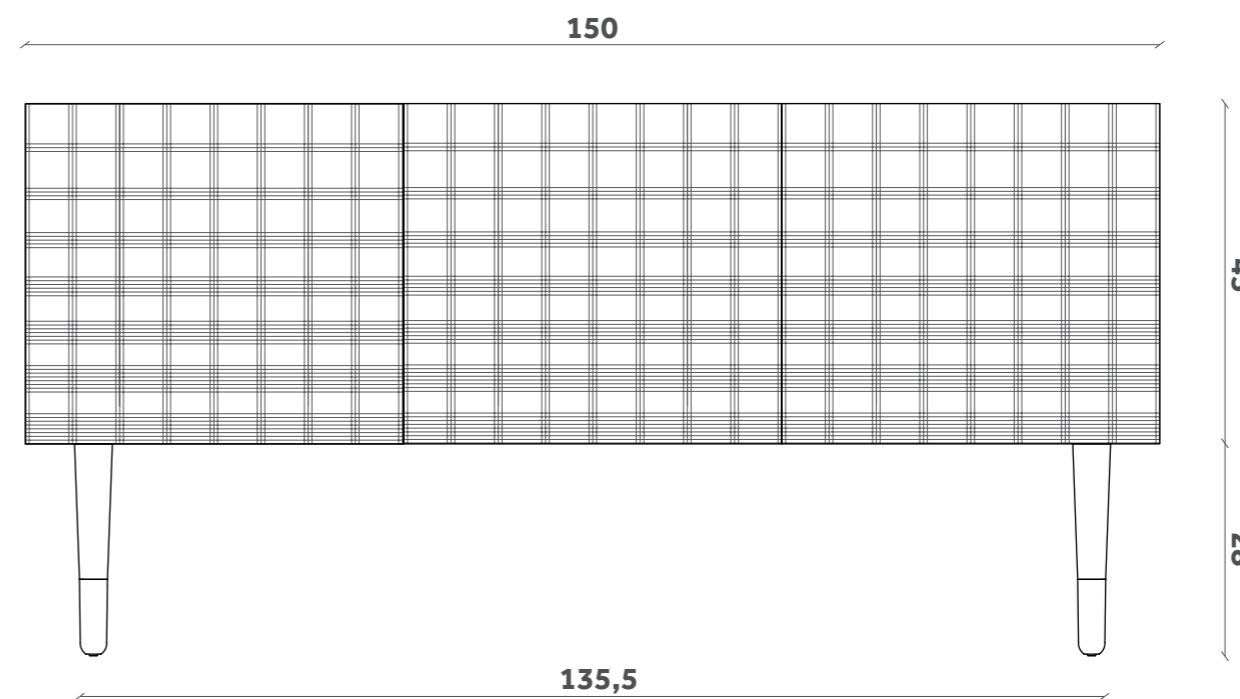
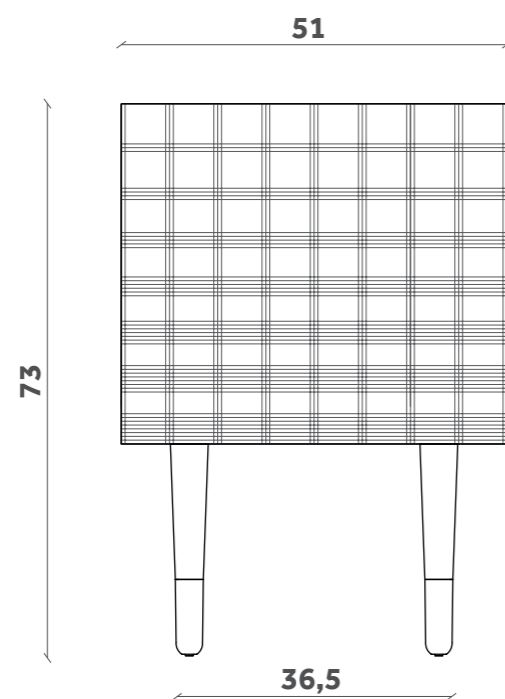
Madia/Cabinet

Design e-ggs

**BF 50**

1 ripiano interno in vetro

*1 inner glass shelf*



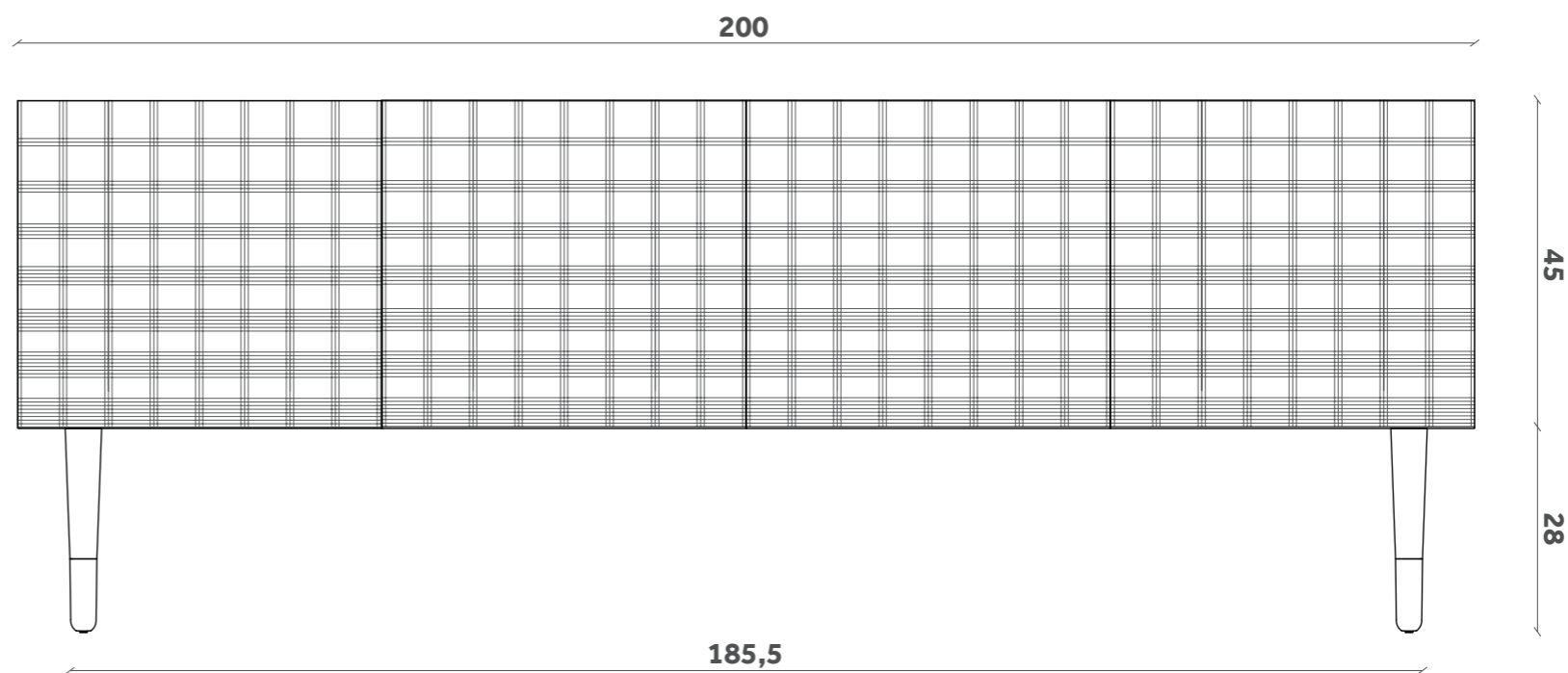
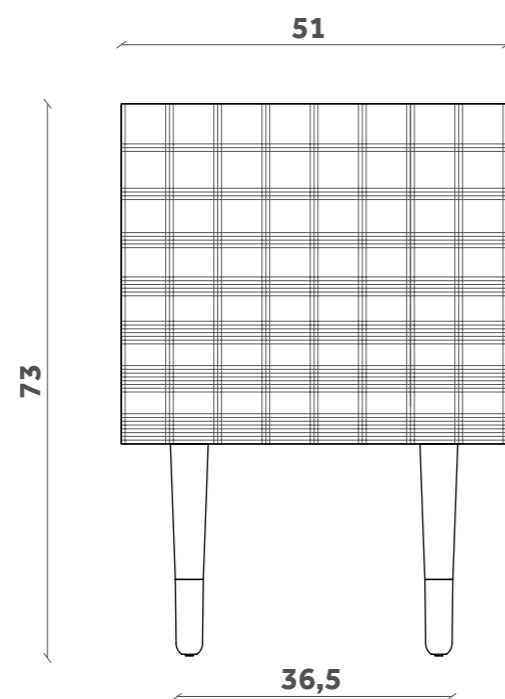
**STOYA**

Madia/Cabinet

Design e-ggs

**BF 51**

2 ripiani in vetro ai lati  
*2 lateral glass shelves*



**STOYA**

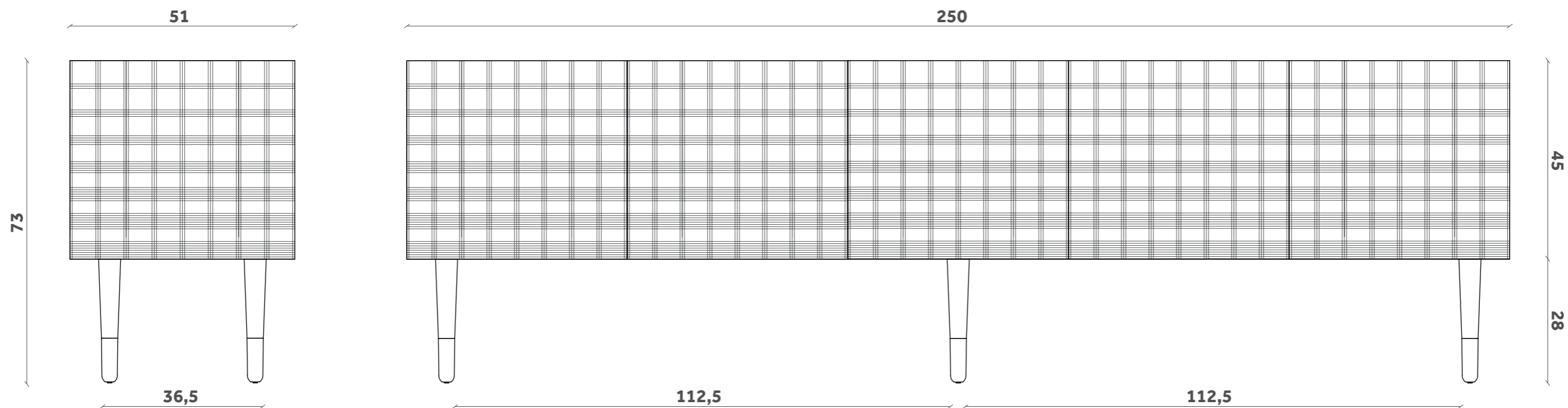
Madia/Cabinet

Design e-ggs

**BF 52**

1 ripiano interno in vetro

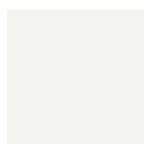
1 inner glass shelf



## FINITURE / FINISHES

### Struttura Structure

#### Laccati / Lacquer



**White**  
Ral: 9016



**Silk Gray**  
Ral: 7044



**Dusty Gray**  
Ral: 7037



**Black**  
Ral: 9005



**Anthracite**  
Ral: 7016



**Intense Blue**  
NCS S-6020 R-80B



**Veronese Green**  
NCS S-5040 B-50G



**Marsala Red**  
NCS S4040R



**Apricot**  
NCS S2030  
Y40R

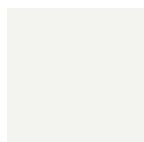
### Puntali Feet

#### Metallo / Metal



**Copper**

#### Laccati / Lacquer



**White**  
Ral: 9016



**Silk Gray**  
Ral: 7044



**Dusty Gray**  
Ral: 7037



**Black**  
Ral: 9005



**Anthracite**  
Ral: 7016



**Intense Blue**  
NCS S-6020 R-80B



**Veronese Green**  
NCS S-5040 B-50G



**Marsala Red**  
NCS S4040R



**Apricot**  
NCS S2030  
Y40R

### Serigrafia Silk-screen printed drawing

#### Serigrafia / Silk-screen printed drawing

\* only for the silk gray structure



**Silk Gray**  
Ral: 7044



**Dusty Gray \***  
Ral: 7037